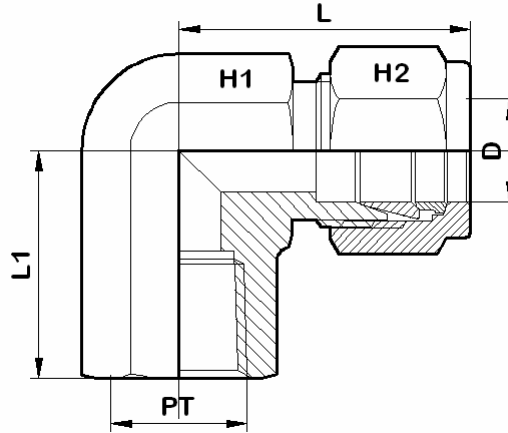


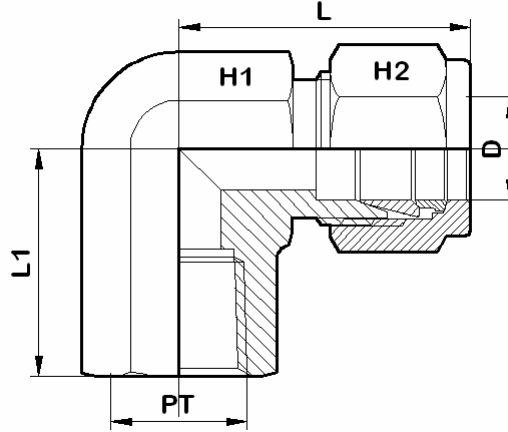
## Female Elbow - BSPT



### For Fractional Tubes

Apurva Code	D (in)	PT (BSPT)	H1 (in)	H2 (in)	L	L1
2 A-FE 2 R	1/8	1/8	9/16	7/16	24.5	19
2 A-FE 4 R	1/8	1/4	11/16	7/16	27.3	22.3
3 A-FE 2 R	3/16	1/8	9/16	1/2	25.4	19
4 A-FE 2 R	1/4	1/8	9/16	9/16	26.9	19
4 A-FE 4 R	1/4	1/4	11/16	9/16	29.7	22.3
4 A-FE 6 R	1/4	3/8	13/16	9/16	31.7	22.3
4 A-FE 8 R	1/4	1/2	1-1/16	9/16	34.5	28.3
5 A-FE 2 R	5/16	1/8	9/16	5/8	28.7	19
5 A-FE 4 R	5/16	1/4	11/16	5/8	30.5	22.3
5 A-FE 6 R	5/16	3/8	13/16	5/8	32.4	22.3
6 A-FE 2 R	3/8	1/8	5/8	11/16	30.5	19
6 A-FE 4 R	3/8	1/4	11/16	11/16	31.2	22.3
6 A-FE 6 R	3/8	3/8	13/16	11/16	33.3	22.3
6 A-FE 8 R	3/8	1/2	1-1/16	11/16	36	28.3
6 A-FE 12 R	3/8	3/4	1-1/4	11/16	40.5	36.8
8 A-FE 4 R	1/2	1/4	13/16	7/8	36	22.3
8 A-FE 6 R	1/2	3/8	13/16	7/8	36	22.3
8 A-FE 8 R	1/2	1/2	1-1/16	7/8	38.8	28.3
10 A-FE 6 R	5/8	3/8	15/16	1	38.1	22.8
10 A-FE 8 R	5/8	1/2	1-1/16	1	39.8	28.3
12 A-FE 8 R	3/4	1/2	1-1/16	1-1/8	39.8	28.3
12 A-FE 12 R	3/4	3/4	1-1/4	1-1/8	44.7	32
14 A-FE 12 R	7/8	3/4	1-1/4	1-1/4	44.7	32
16 A-FE 12 R	1	3/4	1-1/4	1-1/2	49	32
16 A-FE 16 R	1	1	1-11/16	1-1/2	50.3	38

## Female Elbow - BSPT



### For Metric Tubes

Apurva Code	D	PT (BSPT)	H1	H2	L	L1
3M A-FE 2 R	3	1/8	14	12	23.6	19
4M A-FE 2 R	4	1/8	14	12	25.4	19
6M A-FE 2 R	6	1/8	14	14	27	19
6M A-FE 4 R	6	1/4	17.5	14	29.8	22.4
6M A-FE 6 R	6	3/8	20.5	14	31.7	22.4
6M A-FE 8 R	6	1/2	27	14	34.5	28.4
8M A-FE 4 R	8	1/4	17.5	16	30.6	22.4
8M A-FE 8 R	8	1/2	27	16	35.2	28.4
10M A-FE 4 R	10	1/4	17.5	19	33.5	22.4
10M A-FE 6 R	10	3/8	20.5	19	33.5	22.4
10M A-FE 8 R	10	1/2	27	19	36.1	28.4
12M A-FE 4 R	12	1/4	20.5	22	36	22.5
12M A-FE 6 R	12	3/8	20.5	22	36.2	22.5
12M A-FE 8 R	12	1/2	27	22	38.8	28.4
16M A-FE 8 R	16	1/2	27	25	39.5	28.4
18M A-FE 12 R	18	3/4	32	27	43	32
20M A-FE 12 R	20	3/4	32	32	44	32
25M A-FE 12 R	25	3/4	36	38	50.5	34
25M A-FE 16 R	25	1	42	38	54.5	38