



where quality matters

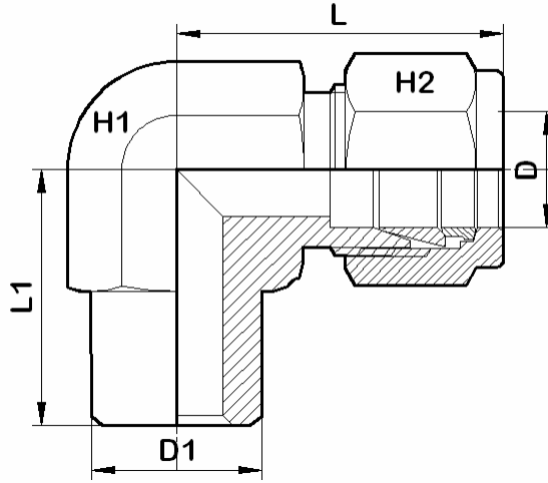
# APURVA ENTERPRISES

7, Vijay Estate, Rajawadi, Ghatkopar (E),  
Mumbai - 400077, Maharashtra, India.

Ph. No.:- 91-022-2344 3348 Fax:- 91-022-2341 4216.

E-mail:- [apurvaenterprises@gmail.com](mailto:apurvaenterprises@gmail.com)  
[apurvaenterprises@hotmail.com](mailto:apurvaenterprises@hotmail.com)

## Pipe Weld Elbow



### For Fractional Tubes

Apurva Code	D (in)	PIPE OD (NB) D1 (in)	H1 (in)	H2 (in)	L	L1
2 A-PWE 2NB	1/8	1/8	1/2	7/16	27	19
4 A-PWE 4NB	1/4	1/4	19/32	9/16	27	23.5
6 A-PWE 4NB	3/8	1/4	5/8	11/16	30.5	25.4
8 A-PWE 8NB	1/2	1/2	15/16	7/8	36	33
12 A-PWE 12NB	3/4	3/4	1-3/16	1-1/8	40	37

\* For Metric Tubes - available on request.