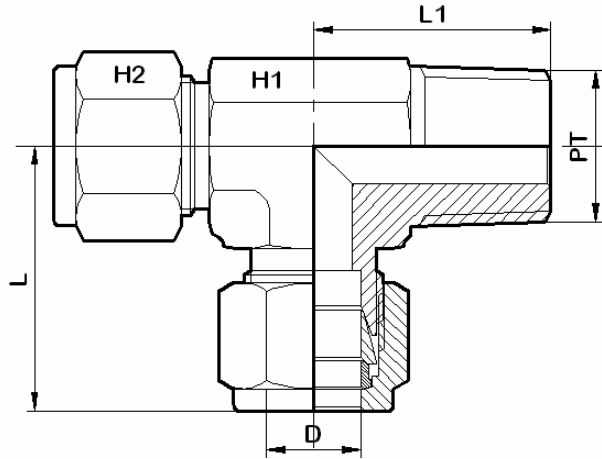


**Male Run Tee**

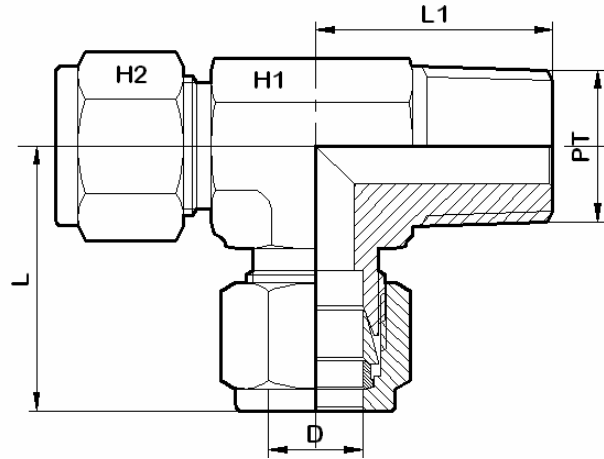


**For Fractional Tubes**

Apurva Code	D (in)	PT* (NPT)	H1 (in)	H2 (in)	L	L1
2 A-MRT 2 N	1/8	1/8	1/2	7/16	24.9	18.9
2 A-MRT 4 N	1/8	1/4	9/16	7/16	24.9	23.3
3 A-MRT 2 N	3/16	1/8	1/2	1/2	24.3	17.7
4 A-MRT 2 N	1/4	1/8	1/2	9/16	26.9	18.8
4 A-MRT 4 N	1/4	1/4	9/16	9/16	27	23.3
5 A-MRT 2 N	5/16	1/8	9/16	5/8	29.7	20.8
6 A-MRT 4 N	3/8	1/4	5/8	11/16	30.4	25.4
6 A-MRT 6 N	3/8	3/8	11/16	11/16	31.2	26.2
8 A-MRT 6 N	1/2	3/8	13/16	7/8	36	28.1
8 A-MRT 8 N	1/2	1/2	7/8	7/8	36	33
10 A-MRT 8 N	5/8	1/2	15/16	1	38	35
12 A-MRT 12 N	3/4	3/4	1-1/16	1-1/8	38.3	35.3

\* ISO Tapered Pipe Threads are available on request.

## Male Run Tee



### For Metric Tubes

Apurva Code	D	PT* (NPT)	H1	H2	L	L1
3M A-MRT 2 N	3	1/8	12.5	12	23.5	17.6
3M A-MRT 4 N	3	1/4	14	12	24.5	23.4
4M A-MRT 2 N	4	1/8	12.5	12	25.4	18.8
6M A-MRT 2 N	6	1/8	12.5	14	27	18.8
6M A-MRT 4 N	6	1/4	14	14	27	23.4
8M A-MRT 2 N	8	1/8	14	16	28.8	19.8
8M A-MRT 4 N	8	1/4	15	16	28.8	24.4
10M A-MRT 4 N	10	1/4	17.5	19	31.5	28.2
10M A-MRT 6 N	10	3/8	19	19	31.5	28.2
12M A-MRT 4 N	12	1/4	20.5	22	36	28.2
12M A-MRT 6 N	12	3/8	20.5	22	36	28.2
12M A-MRT 8 N	12	1/2	22	22	36	33
16M A-MRT 6 N	16	3/8	24	25	38	35
16M A-MRT 8 N	16	1/2	24	25	38	35
20M A-MRT 12 N	20	3/4	32	32	44.5	41.5

\* ISO Tapered Pipe Threads are available on request.